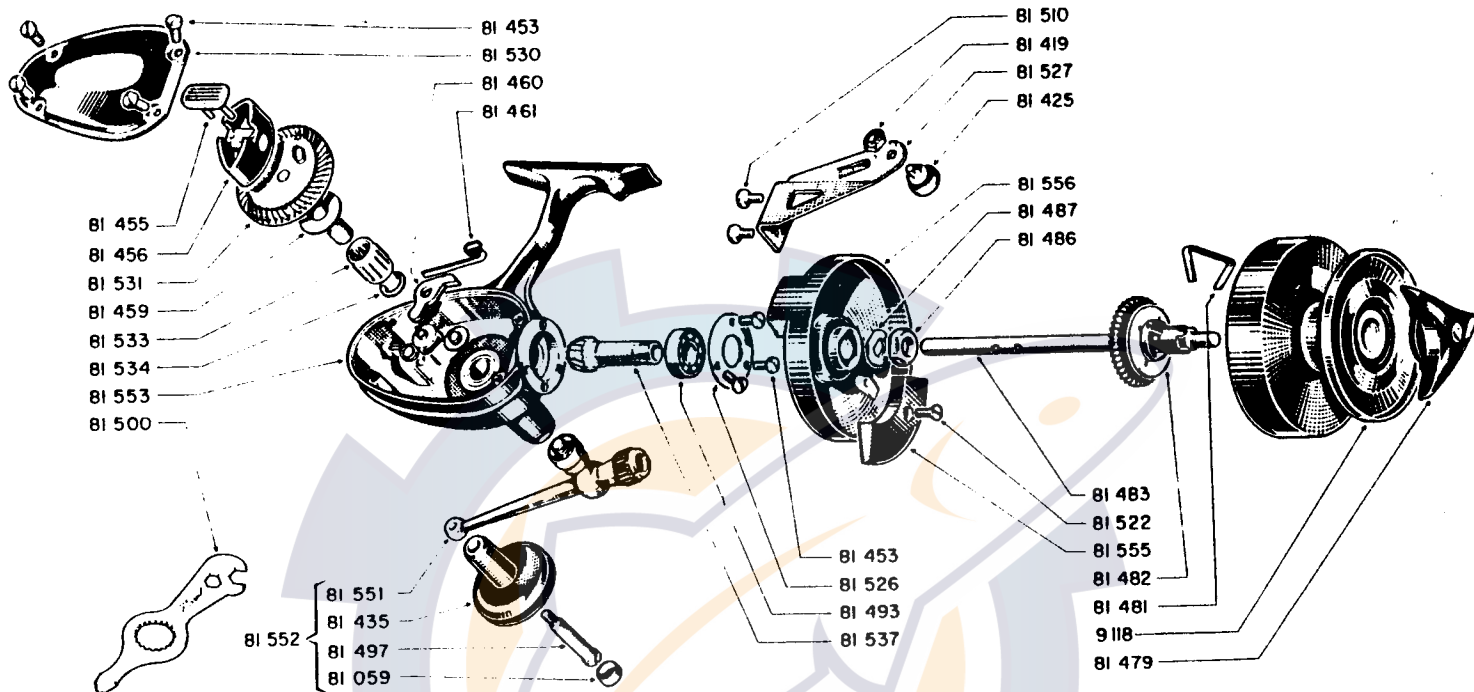


MITCHELL 498 MP



Prices subject to change without notice

Please specify both reel model and part numbers when ordering.

No.	Part Name	Price	No.	Part Name	Price	No.	Part Name	Price
9118	Spool, Standard	4.50	81479	Drag Adjusting Knob	2.00	81527	Roller Line Guide Mount	2.75
81059	Knob Lube Port	.10	81481	Click Spring	.25	81530	Side Plate	.75
81419	Line Guide Lock Nut	.10	81482	Ferodo Drag Plate	1.00	81531	Drive Gear	5.25
81425	Manual Roller Line Guide	2.25	81483	Axle, with Ratchet	2.00	81533	Drive Gear Bearing	1.25
81435	Handle Knob	1.00	81486	Hex Nut	.20	81534	Bearing "C" Lock	.10
81453	Side Plate and Bearing		81487	Keyed Washer	.15	81537	Pinion Gear	2.25
	Lock Screw	(ea.) .10	81493	Ball Bearing, Stainless Steel	4.50	81551	Handle Shank	3.75
81455	Oscillation Slide Lock	.30	81497	Handle Knob Screw	.50	81552	Handle Complete	5.25
81456	Oscillation Slide	.50	81500	Utility Tool	.40	81553	Housing	8.25
81459	Thrust Washer	.10	81510	Pick Up Mount Screw	(ea.) .10	81555	Counterweight	.75
81460	Anti Reverse Dog	.20	81522	Counterweight Screw	.10	81556	Rotating Head	4.00
81461	Anti Reverse Dog Spring	.10	81526	Ball Bearing Lock	.15			

PARTS AND SERVICE AVAILABLE AT THE FOLLOWING REGIONAL FACTORY REPAIR DEPOTS:

FACTORY SERVICE
RODS, REELS AND PARTS

THE GARCIA SERVICE DEPARTMENT
329 ALFRED AVENUE
TEANECK, NEW JERSEY 07666

THE CONOLON CORPORATION
1111 EAST McFADDEN STREET
SANTA ANA, CALIFORNIA 92705

SILICOTE SALES DIVISION
520 WEST 14th AVENUE
OSHKOSH, WISCONSIN 54902

J. K. CLARK COMPANY
ACD SPORTSMEN SERVICE
13501 VAN DYKE
DETROIT, MICHIGAN 48234

REEL SERVICE AND PARTS

NATE BUELL SERVICE CORPORATION
5013 N.E. 42nd STREET
PORTLAND, OREGON 97218

HARRY C. MILLER CO., INC.
257 PARK AVENUE SOUTH
NEW YORK, NEW YORK 10010

SHERMAN LOYD SALES COMPANY
4737 GREENVILLE AVENUE
DALLAS, TEXAS 75206